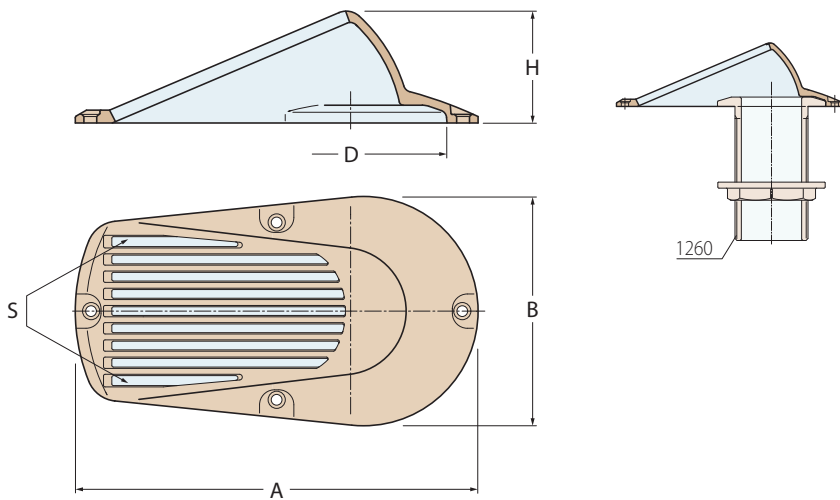


# prese e scarichi a mare water intakes and thru-hulls

1261

Cuffia serie "manta"  
Water inlet "manta" series

A2



1261	1/2"	3/4"	1"	1 1/4"	1 1/2"	2"	2 1/2"	3"	4"	5"	6"	8"
Weight (gr)	140	200	305	425	570	960	1350	1600	3800	7150	8500	14950
<b>3261</b>												
Weight (gr)			92	128	171	288	405	480	1140	2145	2550	4485
S (cm <sup>2</sup> )	4.1	6.6	10.6	14	21.7	30.6	43.6	60.4	118.5	181.2	273	441.5
D	41	48	58	68	76	90	110	124	152	192	228	284
H	21	25	30	35	40	52	59	65	95	121	122	127
B	50	57	68	80	92	108	128	142	182	224	272	332
A	87	105	123	137	158	189	221	235	340	431	480	578
Ref.	1/2"	3/4"	1"	1 1/4"	1 1/2"	2"	2 1/2"	3"	4"	5"	6"	8"

Bronzo  
Bronze

3261



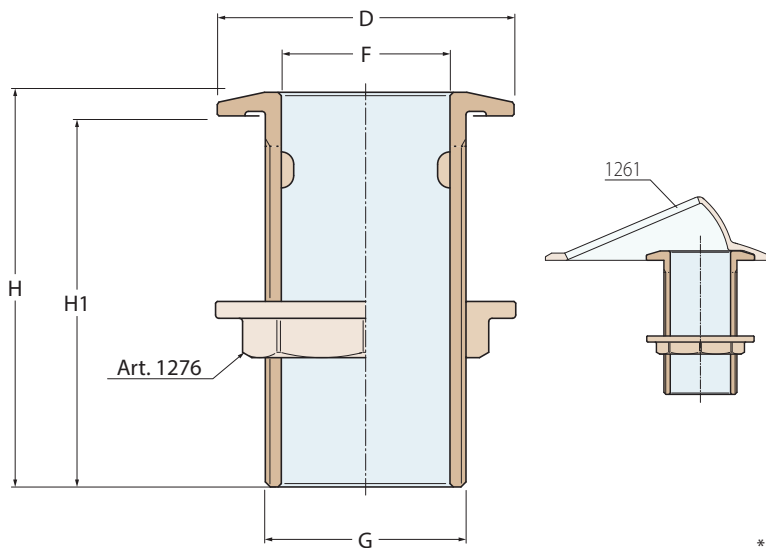
Alluminio anodizzato nero  
Black anodized aluminium

1260

Scarico a mare  
Thru-hull connection

Omologato RINA  
RINA validated

Conforme alla norma  
Compliant with  
UNI EN ISO 9093-1



\* M216x3.5

FILETTATURE / THREAD :  
G = ISO 228/1 (BS 2779)

1260	3/8"	1/2"	3/4"	1"	1 1/4"	1 1/2"	2"	2 1/2"	3"	4"	5"	6"	(8")*
Weight (gr)	90	170	250	360	610	755	1040	1860	2650	4480	9050	10900	18400
<b>3260</b>													
Weight (gr)			108	183	227	312	558	795	1344	2715	3270	5520	
H	64	70	75	85	91	96	107	128	158	209	260	262	312
D	28	40	47	57	67	75	88	108	122	150	190	225	280
H1	60	65	70	80	85	90	100	120	150	200	250	250	300
F	11	13	19	25	32	38	50	63	76	100	120	150	200
G	3/8"	1/2"	3/4"	1"	1 1/4"	1 1/2"	2"	2 1/2"	3"	4"	5"	6"	(8")*

Bronzo  
Bronze

3260



Alluminio anodizzato nero  
Black anodized aluminium